

IP65 Rated LED Projector Luminaire

TLDWP

The **TLDWP** projector luminaires offer simple and effective emergency lighting from high efficiency LED projectors and are suitable for exterior locations.

The **TLDWP** units feature a novel lens system offering fine optical control resulting in high intensity beam patterns to ensure effective area illumination.

The LED projector heads provide excellent performance and full photometry (.LDT files) can be supplied upon request. The **TLDWP** units are supplied with high quality 7.2 Volt 4.5Ah NiCd batteries.

SPECIFICATION

The **TLDWP** units are supplied as standard with non-maintained operation and utilise a GRP main enclosure with cast aluminium heads and Polycarbonate lenses.

The enclosure offers a clever mounting solution allowing the fixing screws to pass through the lid-fixing apertures. These are outside of the lid gasket perimeter and therefore there is no risk of compromising the IP rating.

The **TLDWP** provides 3 hour duration from the integral Nickel Cadmium (NiCd) batteries and fully complies with the requirements of EN60598.2.22

DALI/Self-Test Options:

The **TLDWP** luminaires can be specified with integral DALI/Self-Test gear providing automatic Self-Test in accordance with BSEN62034 or fully interoperable DALI operation when connected to a DALI control system.

NOTE: **TLDWP** luminaires can be equipped with **SurePath BLE** Bluetooth addressable Gateway modules. [See Data Sheet.](#)



TLDWP/NM3



GENERAL DETAILS

Product	IP65 rated Twin LED Projector
Light Source	Each head: 5 white LEDs
Luminaire Lumens	2 x 520lm
Construction	Aluminium heads, Polycarbonate lenses and GRP enclosure
Geartray	White PCB fixed keyhole slots
Dimensions	280mm (W) x 190mm (H) x 140mm (D) Total 310mm (H)
Cable Entry	Drilling points; ends and back

Emergency Lighting Products Limited
Parbrook House, Cillmans Industrial Estate,
Natts Lane Billingshurst, West Sussex RH14 9EZ

Telephone: +44 (0) 1403 786601
Fax: +44 (0) 1403 786602
e-mail: sales@elp.uk.com

Safe in the knowledge
elp.uk.com

IP65 Rated LED Projector Luminaire

TLDWP

SPECIFICATION

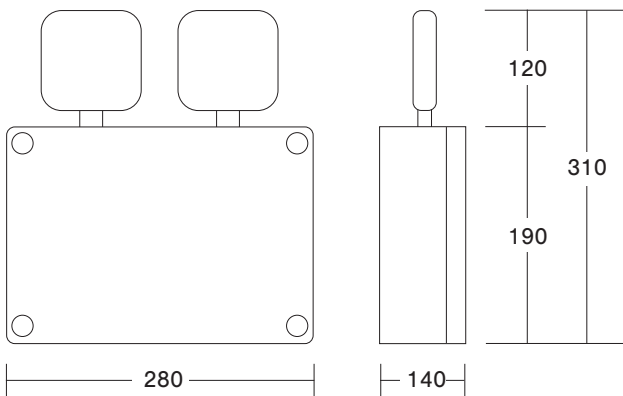
Light source	Two 5 x LED heads
Colour temperature	5000K
Light output	2 x 520lm
IP Rating	IP65
Ambient temperature (Ta)	0°C to 25°C
Insulation Class	Class II
Supply	230V ~ 50Hz
Supply power	6W (max.)
Charge power (typical)	2.5W
Weight	2.9kg (max.)

PERFORMANCE

Full photometry (.LDT file) available.

Typical example:

TLDWP/NM3 wall mounted 3m high can be spaced 25metres apart to achieve 1Lux on a corridor centre line.



ORDER CODES

Description

TLDWP/NM3	Non-maintained 3-hour emergency	
TLDWP/DALI	Non-maintained 3-hour DALI emergency	
OPTIONS:	/BLE	Wireless DALI emergency

Emergency Lighting Products Limited
 Parbrook House, Cillmans Industrial Estate,
 Natts Lane Billingshurst, West Sussex RH14 9EZ

Telephone: +44 (0) 1403 786601
 Fax: +44 (0) 1403 786602
 e-mail: sales@elp.uk.com

Safe in the knowledge
elp.uk.com