

Axiom

Axiom LED bulkhead utilises an IP65 rated polycarbonate base and fresnel lens housing 16 high output white LEDs and constant current maintained drive circuit.

The luminaire provides 150 Lumens and the lens generates a wide intensity distribution ideal for providing good illuminance on the escape route. The polycarbonate lens can be fitted with 100mm high, self-adhesive safety signs. A deep (150mm) opal diffuser is also available to provide double sided signage if required.

The **Axiom** has been tested and BSI Kitemark Certified to EN60598.2.22 and they are also Certified by United Arab Emirates Ministry of Interior Civil Defence GHQ.

OPERATION

The **Axiom** LED bulkhead luminaires are available for normal mains lighting or with integral emergency lighting control gear (maintained or non-maintained operation is achieved by connecting or excluding a switched live supply). All emergency versions also offer 3 hour emergency lighting duration from an integral Lithium Iron Phosphate (LiFePO₄) battery.

As with all ELP maintained luminaires, the AX/M3/LI maintained units can be used for standard switched mains lighting but will automatically provide emergency lighting in the event of a complete loss of normal mains supply.

DALI/Self-Test Options:

The **Axiom** Maintained emergency luminaires can be specified with integral DALI/Self-Test gear providing automatic Self-Test in accordance with BSEN62034 or fully interoperable DALI operation when connected to a DALI control system. DALI control drivers can also be specified for the Mains only version.

NOTE: **Axiom** luminaires can be equipped with **SurePath BLE** Bluetooth addressable Gateway modules. *See Data Sheet.*



GENERAL DETAILS

Product	LED Bulkhead and Exit Sign
Light source	16 x white LEDs
Luminaire Lumens	>150lm (max. without sign legend)
Sign viewing distance	32m (DDS versions), (25m Self-Adhesive kits)
Construction	White polycarbonate base and optical grade, UV stabilised lens
Geartray	Hinged white plastic
Dimensions	350mm (L) x 120mm (W) x 65mm (H)
Cable entry	20mm drilling points



AX/M3/LI



AX/M3/LI/DDS/ECAD

Emergency Lighting Products Limited
 Parbrook House, Cillmans Industrial Estate,
 Natts Lane Billingshurst, West Sussex RH14 9EZ

Telephone: +44 (0) 1403 786601
 Fax: +44 (0) 1403 786602
 e-mail: sales@elp.uk.com

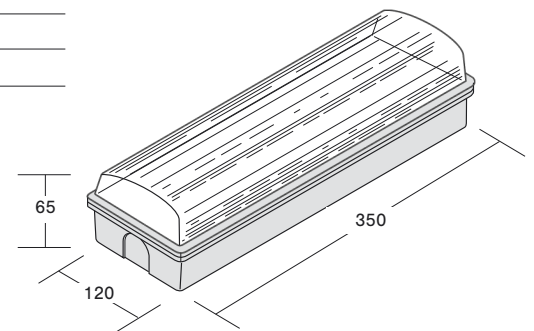
Safe in the knowledge
 elp.uk.com

IP65 Bulkhead and Exit Sign Luminaire

Axiom

SPECIFICATION

	Maintained	Mains only
Light source	16 x white LEDs	
Colour temperature	4500K	
Luminaire lumens (mains)	>150lm	>150lm
Lumens (emergency)	>150lm	–
IP rating	IP65	
Ambient temperature (Ta)	0°C to 25°C	
Insulation class	Class II	
Supply voltage	230V ~ 50Hz	
Supply power	3.0W	1.7W
Charge power (typical)	1.2W	–
Battery	1 x 3.2V 1.8Ah LiFePO ₄	–
Weight	1.1kg	0.9kg



AXIOM – Emergency Lighting Spacings

Mounting height Hm (m)	Trans. to wall	Trans. to trans.	Axial to trans.	Axial to axial	Axial to wall	
2.5	1.6	5.9	4.3	3.0	1.0	1 Lux min. at centre
4.0	1.1	4.7	3.6	2.6	0.4	
2.5	2.6	8.7	7.2	4.7	1.2	0.5 Lux min. (open)
4.0	1.9	8.5	7.0	4.5	0.6	

ORDER CODES

Order Code	Description
AX/M3/LI	Maintained emergency bulkhead luminaire
AX/M3/DALI/LI	Maintained DALI emergency bulkhead luminaire
AX/230	Mains only bulkhead luminaire
AX/230D	DALI version of Mains only bulkhead luminaire
OPTIONS:	/BLE Wireless DALI emergency
	/DDS Deep Double Sided exit sign diffuser
	/EBAX/RB/KIT Semi-recessing bezel kit
DDS LEGENDS:	/ECAD EC format – Arrow Down (for DDS)
	/ECAL-R EC format – Arrow Left/Right (for DDS)
	/ISOAD ISO format – Arrow Down (for DDS)
	/ISOAU ISO format – Arrow Up (for DDS)
	/ISOAL-R ISO format – Arrow Left/Right (for DDS)
SELF-ADHESIVE SIGN KITS:	/LEG/KIT/EC EC format Self-adhesive kit
	/LEG/KIT/ISO ISO format Self-adhesive kit

Emergency Lighting Products Limited
 Parbrook House, Cillmans Industrial Estate,
 Natts Lane Billingshurst, West Sussex RH14 9EZ

Telephone: +44 (0) 1403 786601
 Fax: +44 (0) 1403 786602
 e-mail: sales@elp.uk.com

Safe in the knowledge

