

IP65 Bulkhead and Exit Sign Luminaires

Brilas

Neat and compact, the **Brilas** LED bulkhead utilises an IP65 rated polycarbonate base and lens specifically designed to maximise the distribution from the enclosed 16 high output white LEDs and appropriate drive circuit.
The **Brilas** is available with a 'hanging blade' exit sign legend panel or self-adhesive legend kits.

OPERATION

The attractively designed **Brilas** bulkhead offers >150Lumen LED output with a distribution to ensure maximum between luminaires.

The **Brilas** luminaires are available with mains only or Maintained emergency operation (non-Maintained operation achieved by excluding a switched live supply). All emergency versions provide 3 hour duration from integral high temperature Nickel Cadmium (NiCd) batteries. Maintained versions can be used for standard switched mains lighting but will automatically provide emergency lighting in the event of a complete loss of normal mains supply.

The benefits of the modern white low power LEDs include long life (typically 50,000hours+), excellent energy efficiency (>100lm/W), low operating temperatures therefore improving the life of the internal batteries and good operation at low ambient temperatures. **NOTE:** **Brilas** luminaires can be equipped with **SurePath BLE** Bluetooth addressable Gateway modules. See *Data Sheet*.

The luminaires have been tested and BSI Kitemark Certified to EN60598.2.22 and they are also Certified by United Arab Emirates Ministry of Interior Civil Defense GHQ.

DALI/Self-Test Options:

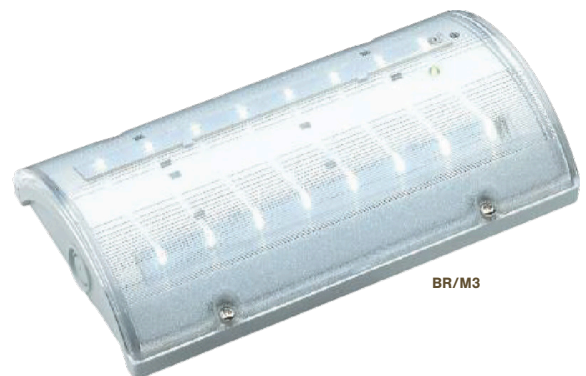
The **Brilas** luminaires can be specified with integral DALI/Self-Test gear providing automatic Self-Test in accordance with BSEN62034 or fully interoperable DALI operation when connected to a DALI control system.



BR/M3/BLD/ISOAU

GENERAL DETAILS

Product	LED Bulkhead and Exit Sign
Light source	16 x white LED (CRI>70)
Luminaire Lumens	>150lm (without sign legend)
Sign viewing distance	20m (/BLD)
Construction	White polycarbonate base and optical grade, UV stabilised lens
Geartray	Hinged white plastic
Dimensions	240mm (L) x 130mm (W) x 50mm (H)
Cable Entry	Drilling points in both ends and back



BR/M3

Emergency Lighting Products Limited
Parbrook House, Cillmans Industrial Estate,
Natts Lane Billingshurst, West Sussex RH14 9EZ

Telephone: +44 (0) 1403 786601
Fax: +44 (0) 1403 786602
e-mail: sales@elp.uk.com

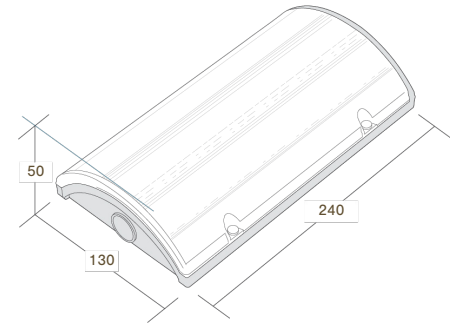
Safe in the knowledge
elp.uk.com

IP65 Bulkhead and Exit Sign Luminaires

Brilas

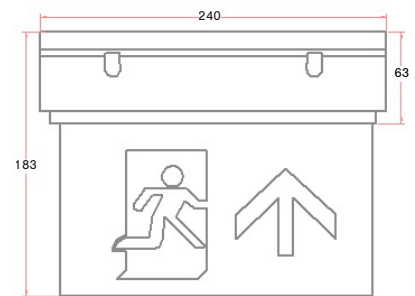
SPECIFICATION

	Maintained	Mains only
Light source	16 x white LEDs (CRI >70)	
Colour temperature	4500K	
Luminaire lumens (mains)	150lm	150lm
Lumens (emergency)	150lm	–
IP rating	IP65	
Ambient temperature (Ta)	25°C	
Insulation class	Class II	
Supply voltage	230V ~ 50Hz	
Supply power	3.0W	1.7W
Charge power (typical)	1.2W	–
Battery	1 x 3.6V 1.5Ah NiCd	–
Weight	1.0kg	0.8kg



BRILAS – Emergency spacings (White base/clear lens)

Mounting height Hm (m)	Trans. to wall	Trans. to trans.	Axial to trans.	Axial to axial	Axial to wall	
2.5	3.0	7.8	7.2	6.8	2.0	1 Lux min.
4.0	2.4	8.2	7.6	6.2	1.4	at centre
2.5	5.1	9.8	9.2	6.5	2.6	0.5 Lux min.
4.0	4.4	10.0	9.8	6.0	2.2	(open)



ORDER CODES

ORDER CODES	Description
BR/M3	Maintained emergency bulkhead luminaire
BR/M3D	Maintained DALI emergency bulkhead luminaire
BR/230	Mains only bulkhead luminaire
BR/230D	DALI version Mains only bulkhead luminaire

OPTIONS:

/BLD Hanging blade lens and Exit legend option

BLADE EXIT LEGEND OPTIONS:		
/ECAR	EC format – Arrow Right/Left	
/ECAD	EC format – Arrow Down	
/ISOAR	ISO format – Arrow Right/Left	
/ISOAU	ISO format – Arrow Up	

SELF-ADHESIVE EXIT LEGENDS:		
/BR/LEG/KIT/EC	EC format Self-adhesive kit	
/BR/LEG/KIT/ISO	ISO format Self-adhesive kit	

NB: Contact our Sales Office regarding optional LiFePO4 versions

Emergency Lighting Products Limited
 Parbrook House, Cillmans Industrial Estate,
 Natts Lane Billingshurst, West Sussex RH14 9EZ

Telephone: +44 (0) 1403 786601
 Fax: +44 (0) 1403 786602
 e-mail: sales@elp.uk.com

Safe in the knowledge
elp.uk.com

